

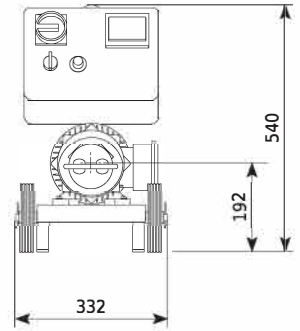
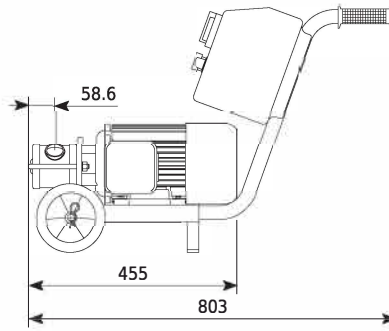
Serie / Type

# INV BS

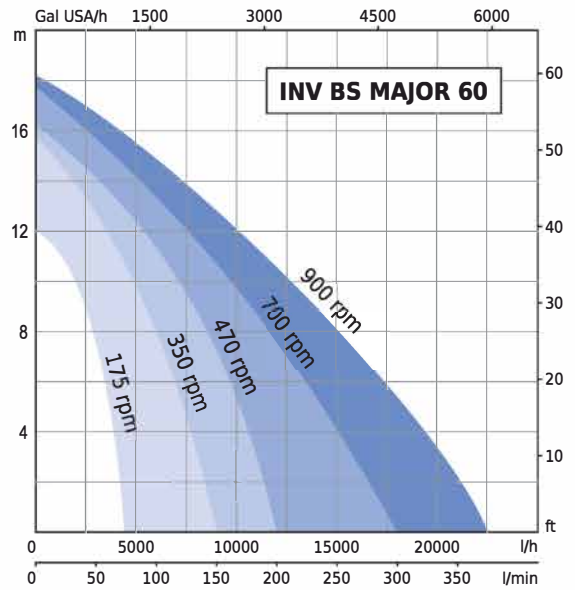
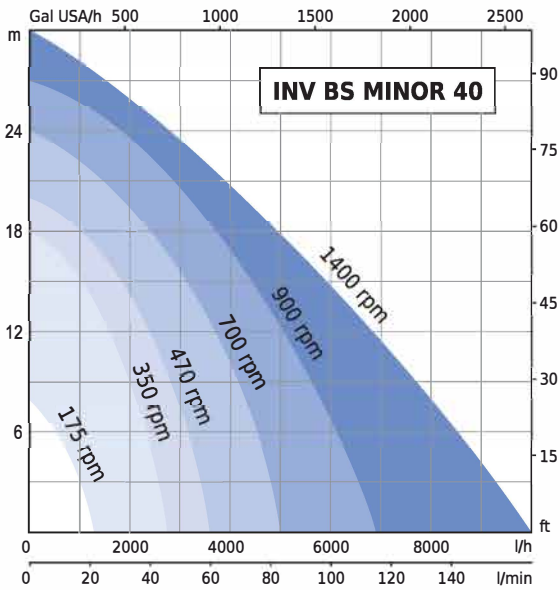
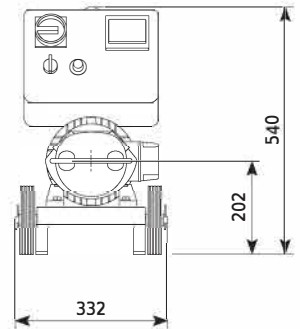
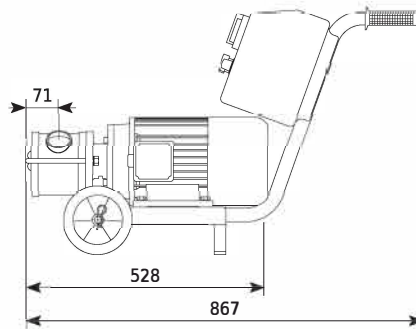
## Pompe monoblocco con inverter e servoventola Monobloc pumps with frequency converter and forced ventilation



INV BS MINOR 40



INV BS MAJOR 60



Tipo Type	Alimentazione Feeding	kW	Giri/min Rpm	Prevalenza (m) / Head (m)												
				0	4	8	12	16	18	20	24	27	30			
<b>INV BS MINOR 40</b>	Trifase (TF) Three-phase (TF) 400V 50Hz	4	min 175	1320	800	0										
			350	2750	2500	2100	1600	800	0							
			470	3600	3300	2900	2400	1600	1000	0						
			700	5000	4700	4300	3700	3000	2520	1800	0					
			900	6900	6200	5760	5040	4200	3660	3200	1800	0				
			max 1400	10000	9000	8000	6900	5500	4900	4200	2600	1700	0			
<b>INV BS MAJOR 60</b>	Trifase (TF) Three-phase (TF) 400V 50Hz	4	min 175	4320	3840	3000	0									
			350	9000	7800	6000	3700	0								
			470	12000	10500	8700	5100	0								
			700	18000	15000	12000	8400	2500	0							
			max 900	22500	19560	15000	11220	3000	0							

Portata (l/h) / Capacity (l/h)